



# Procedure n°4:

Replacing the handle washer

**Froilabo**  
Precision for life

## I) Required tools and preconditions

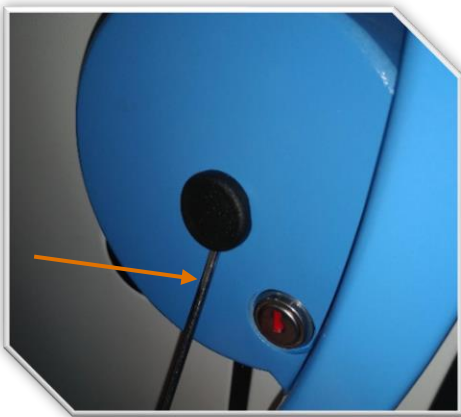
This procedure makes it possible to set up a washer system intended to keep the opening handle of the main door in its open position.

To perform this procedure, you are going to need:

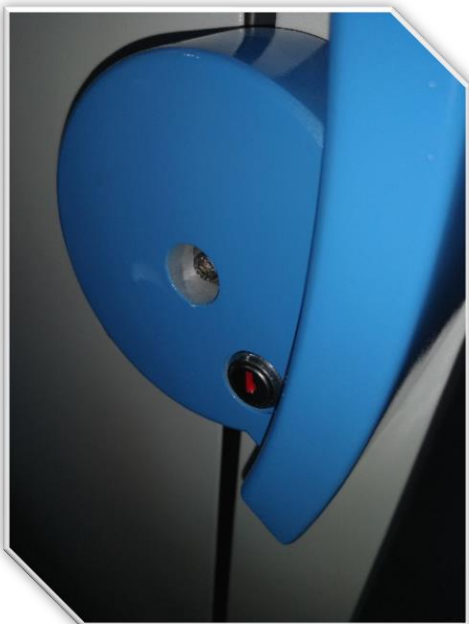
- ✓ Flat screwdriver
- ✓ 5mm BTR key
- ✓ Torque wrench
- ✓ Some spare washers

It is not necessary the shut down the freezer before the operation.

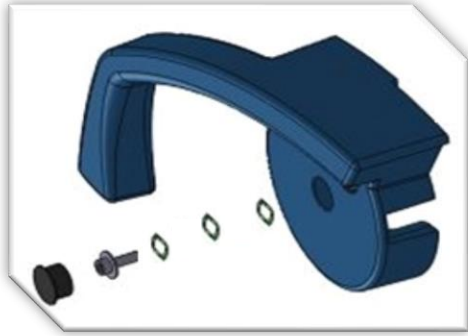
## II) Replacing the washer



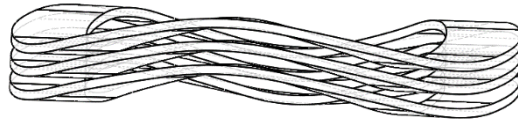
- Using a **flat and thin screwdriver**, remove the black cover on the door handle.



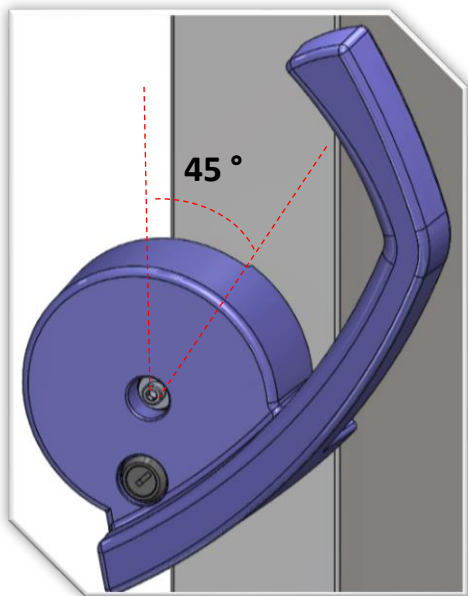
- Using a 5mm BTR key, disassemble the door handle screw.
- Take the screw out of its housing.
- Remove all the old wavy washers.



- Set-up the handle on its axis.
- Put 3 wavy washer, the M05 plate washer and the M05x20 CHC screw.
- Tighten the fixing screw using a torque wrench **10Nm needed**.



**Undulation orientation must be respected.**



**This test needs to be performed after installation of 3 washers**

- Put the handle in position, as shown.
- In position, the handle shouldn't fall under its own weight.

**If it falls, add another wavy washer and repeat the procedure.**

- If operation is successful, you can replace the black cap on the handle and close the freezer.

CAUTION: FAILURE TO FOLLOW INSTRUCTIONS ABOVE CAN DAMAGE YOUR UNIT.

Refer to [« User manual »](#) provided with the unit for more information.